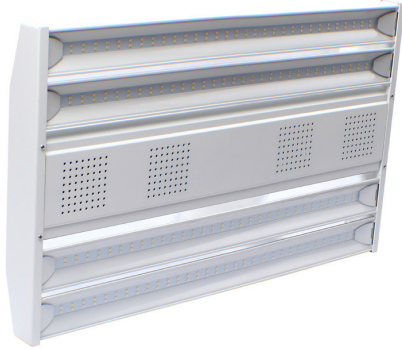


Type	
Project	
Catalog No.	

## PREMIUM HIGH BAY SERIES



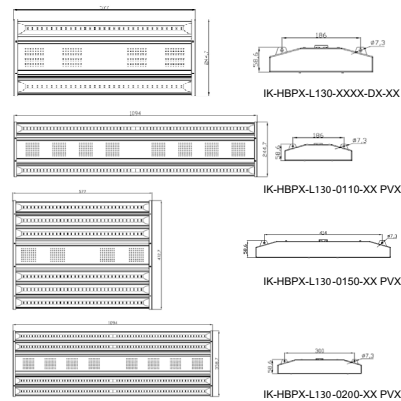
## FEATURES

- Aluminum heat sink for optimum heat dissipation
- Average efficacy of 130+ Lm/W
- Matte white paint with an option of frosted or clear lens provide pleasing architectural aesthetics with non-glare reflective surfaces
- Over 50,000 hours lifetime at L70
- 80+ CRI
- 0-10v dimming(optional)
- 10-Year Manufacturer's Warranty
- LM79/LM80/TM-21 data available (on request)




## DESCRIPTION

The IKIO Premium High Bay Series is designed for a wide variety of applications and mounting heights. Wide angle optics, multiple lumen packages and color temperatures make these ideal for industrial, commercial, manufacturing, gymnasium and other applications, that utilize traditional linear fluorescent and HID High Bay fixtures. Suggested mounting heights are between 15 - 25 feet. This High Bay reduces up to 70% energy, and has a life span of over 10 years. This fixture comes with frosted or clear lens as an option.

## DIMENSIONS (mm)



## TECHNICAL SPECIFICATION

Internal Product Code	IK-HBPX-L130-XXXX-DY-XX				
Size (ft)	1.89 x 0.80	3.58 x 0.80	1.89 x 1.55	3.58 x 1.55	3.58 x 1.55
Power Consumption (W)	50	100	150	200	300
Lumen Output (Lm)	6500 ± 5%	13000 ± 5%	19500 ± 5%	26000 ± 5%	39000 ± 5%
Lumen Efficacy (Lm/W)	130 ± 5%				
CCT (K)	4000 ± 5%		5000 ± 5%		
Color Rendering Index (CRI)	80+				
AC Input Rating (vAC)	AC 100-277v 50/60Hz				
Dimming (0-10v)	Yes				
PF	≥ 0.90				
Certifications & Warranty	  				

Not all products are qualified on the DLC OPL. To view our DLC qualified products, please consult the DLC Qualified Products List at [www.designlights.org/qpl](http://www.designlights.org/qpl).

## ORDERING INFORMATION

<b>MODEL</b> IK-HBPX	-	<b>LUMEN EFFICACY</b> L130	-	<b>POWER</b> 0050 0 - 050 W 0 - 100 W 0 - 150 W 0 - 200 W 0 - 300 W	-	<b>DIMMABLE</b> DY DY- DIMMABLE	-	<b>CCT</b> 40 40 - 4000 K 50 - 5000 K 57 - 5700 K
-------------------------	---	-------------------------------	---	---	---	---------------------------------------	---	---

## DLC LISTING AND NOMENCLATURE

<b>MODEL</b> IK-HBPX	-	<b>LUMEN EFFICACY</b> L130	-	<b>POWER</b> 0050 0 - 050 W 0 - 100 W 0 - 150 W 0 - 200 W 0 - 300 W	-	<b>DIMMABLE</b> DY DY- DIMMABLE	-	<b>CCT</b> 40 40 - 4000 K 50 - 5000 K 57 - 5700 K
-------------------------	---	-------------------------------	---	---	---	---------------------------------------	---	---

50W		100W		150W	
DLC PRODUCT CODE	DLC PRODUCT ID	DLC PRODUCT CODE	DLC PRODUCT ID	DLC PRODUCT CODE	DLC PRODUCT ID
IK-HBPX-L130-0050-DY-40	PTR79Y2V	IK-HBPX-L130-0100-DY-40 Type A	PK82XVSQ	IK-HBPX-L130-0150-DY-40	PQ35G5C5
IK-HBPX-L130-0050-DY-50	P6P5MRHH	IK-HBPX-L130-0100-DY-40 Type B	PW3QEKMZ	IK-HBPX-L130-0150-DY-50	P3SYS7PH
IK-HBPX-L130-0050-DY-57	P2N3WY3N	IK-HBPX-L130-0100-DY-50 Type A	PT2C7M86	IK-HBPX-L130-0150-DY-57	PTEMDJFP
200W		300W		IK-HBPX-L130-0200-DY-40	PKPQPVYT
DLC PRODUCT CODE	DLC PRODUCT ID	DLC PRODUCT CODE	DLC PRODUCT ID	IK-HBPX-L130-0200-DY-50	PCU83W14
IK-HBPX-L130-0200-DY-40	PKPQPVYT	IK-HBPX-L130-0100-DY-50 Type B	PD7UVAJ5	IK-HBPX-L130-0200-DY-57	P9RBV1EY
IK-HBPX-L130-0200-DY-50	PCU83W14	IK-HBPX-L130-0100-DY-57 Type A	PBH5BC2D		
IK-HBPX-L130-0200-DY-57	P9RBV1EY	IK-HBPX-L130-0100-DY-57 Type B	PE7RZPUZ		
		IK-HBPX-L130-0300-DY-40	PUD67DPN		
		IK-HBPX-L130-0300-DY-50	PH6P5WYM		
		IK-HBPX-L130-0300-DY-57	PQ921YGB		

## OPTOMETRIC DATA

